



ACCIAI E ACCESSORI
STEELS & ACCESSORIES

Passacavi e bitte
Fairleads & Bollards

Isole di manovra
Control Station

Alberi
Stands

Imperiali e musoni
Radar Stands & Anchor protections

Scale
Stairs

Corrimano
Hand rail

Cerniere
Hinges

MS
METALSTYLE

PASSACAVI
FAIRLEADS

MAESTRALE

Passacavi in acciaio inox 316 lucido.
Fairlead made of polished 316 stainless steel.



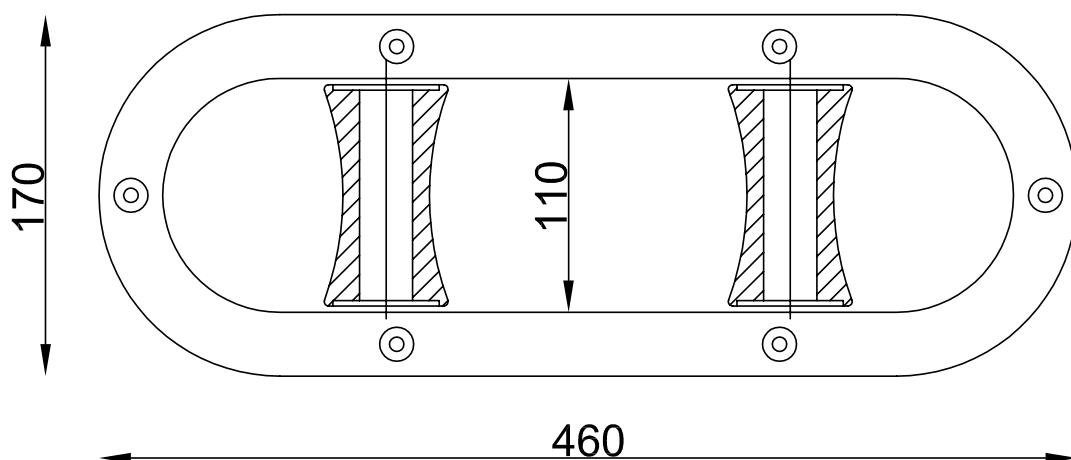
Passacavi in acciaio inox 316 lucido.

Fairlead made of polished 316 stainless steel.



Altre misure su richiesta.

Other measures on request.



CROSS

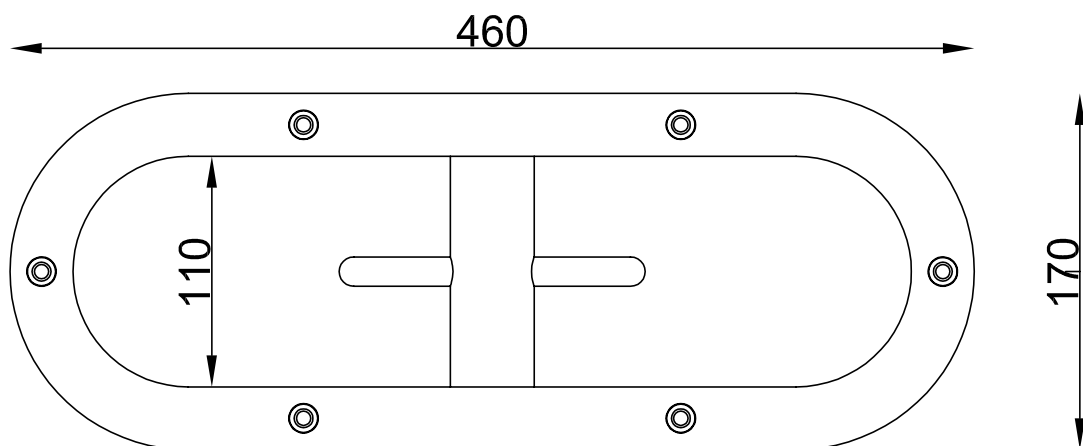
Passacavi in acciaio inox 316 lucido.

Fairlead made of polished 316 stainless steel.



Altre misure su richiesta.

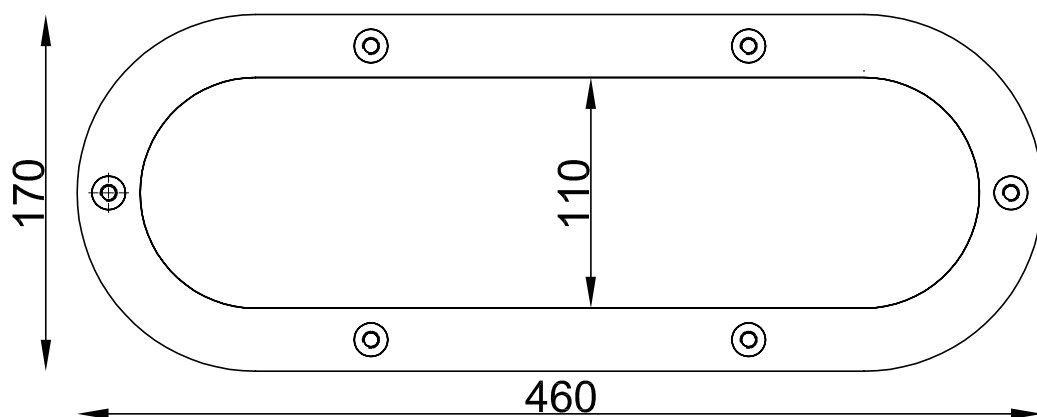
Other measures on request.



Passacavi in acciaio inox 316 lucido.
Fairlead made of polished 316 stainless steel.



Altre misure su richiesta.
Other measures on request.



BITTE FISSE
CLEATS

SCIROCCO

Bitte in acciaio inox 316 lucido.

Cleats made of 316 polished stainless steel.



Dimensioni su richiesta.

Dimensions on request.

ZEFIRO

Bitte in acciaio inox 316 lucido.

Cleats made of 316 polished stainless steel.



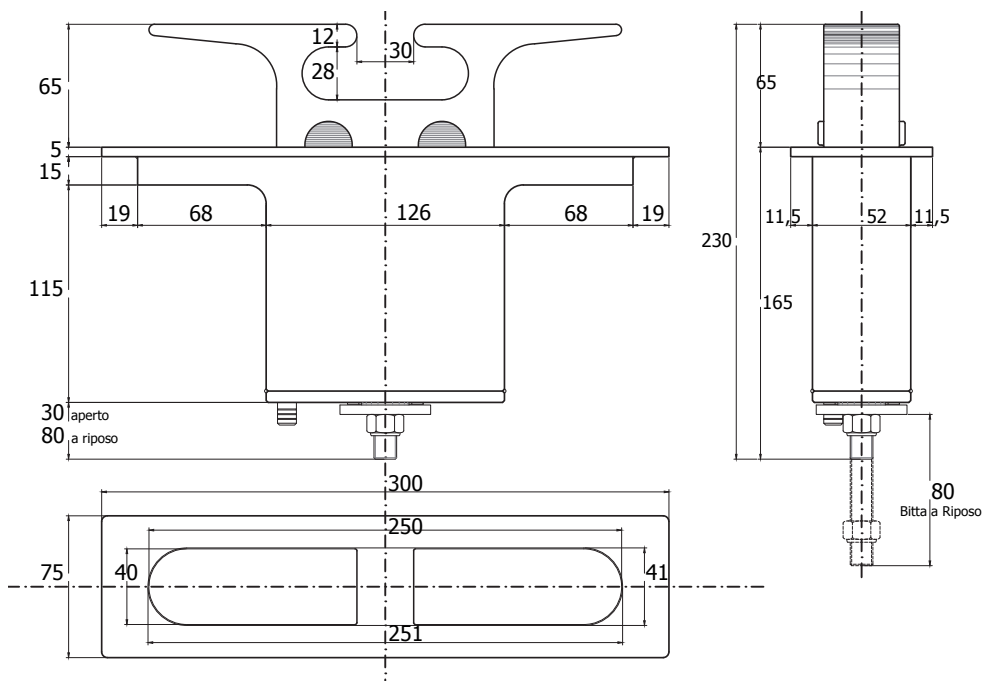
Dimensioni su richiesta.

Dimensions on request.

BITTE A SCOMPARSA FLUSH CLEATS

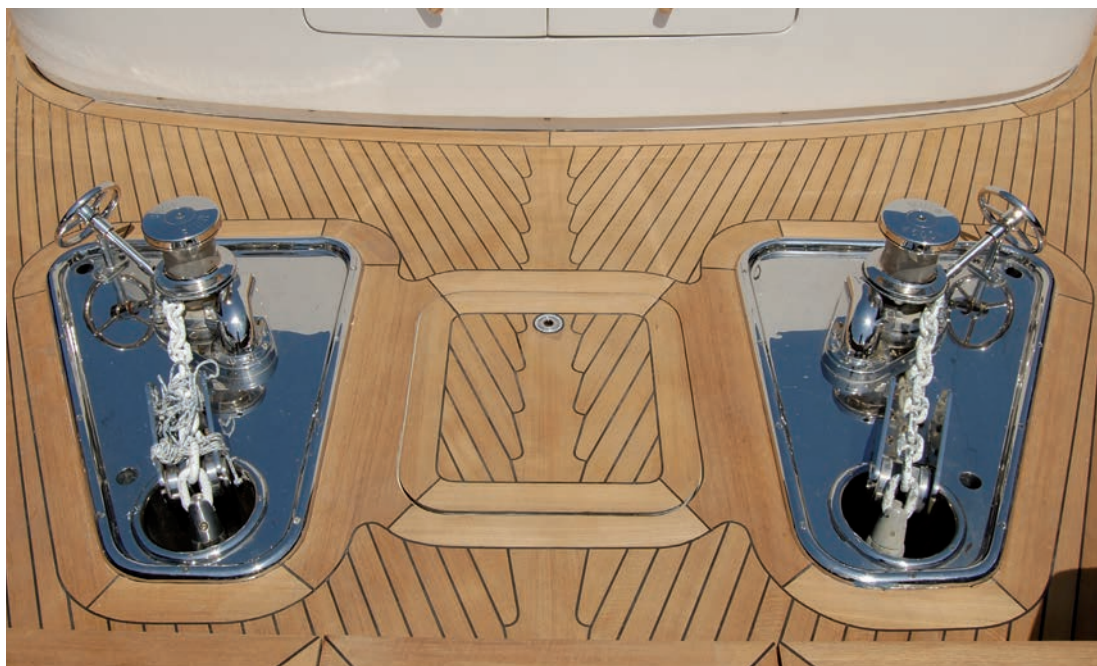
QUEEN

Bitte a scomparsa in acciaio inox 316.
Flush cleats made of 316 polished stainless steel.

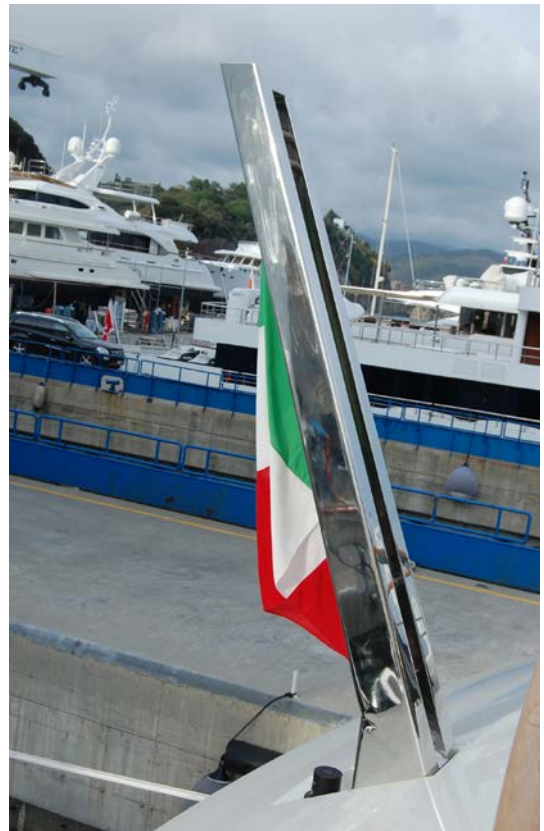
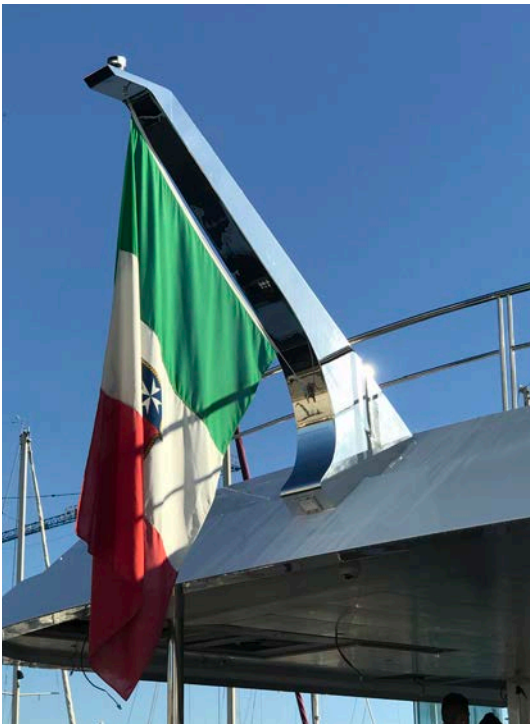




Ghiotte in acciaio inox 316 lucido.
Drain cubie made of 316 stainless steel.



ALBERI
POLE & NAVIGATION LIGHT MAST



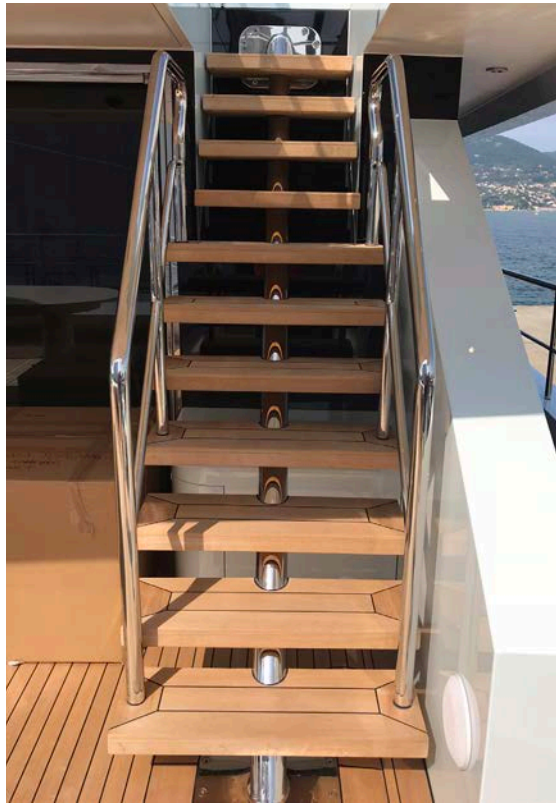
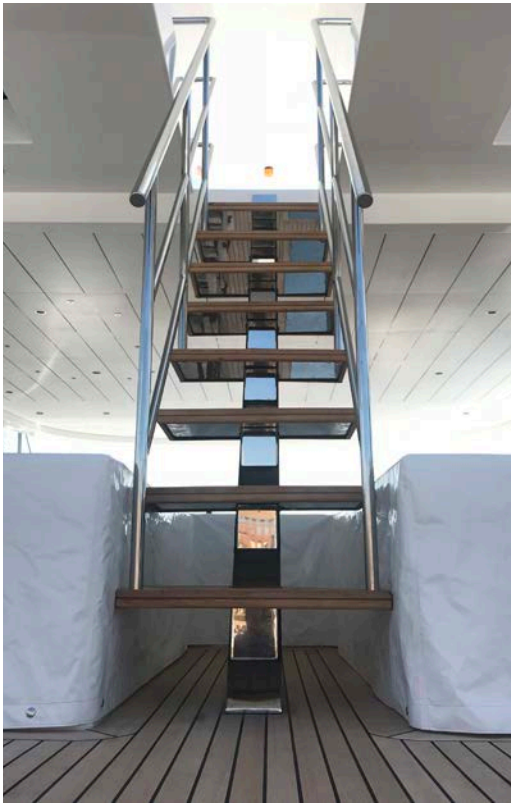


Imperiali realizzati in alluminio.
Personalizzabili su richiesta del cliente.
*Radars and satellite stands made of aluminium,
can be customised, as requested,
for all type of equipment
(aerial, radar, satellite, navigation lights).*



MUSONI





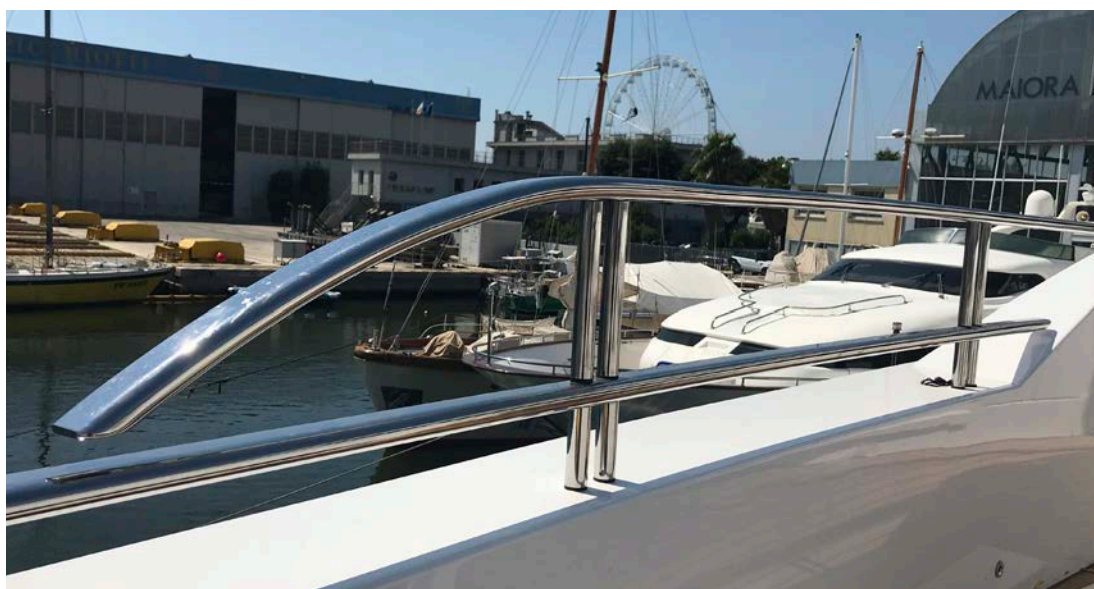
VERSIONE TONDA

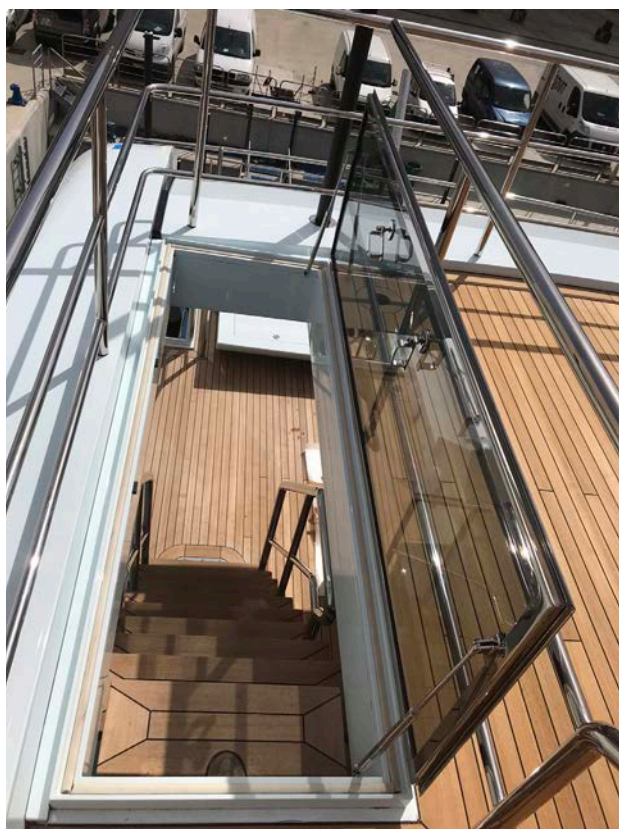
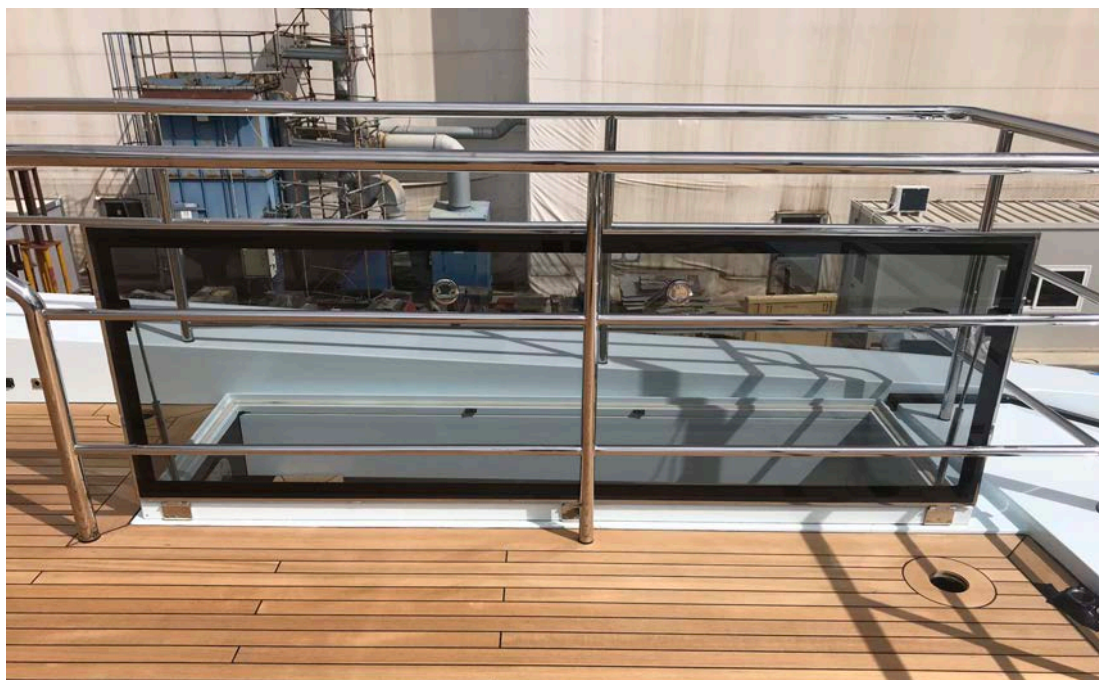
Corrimano, versione tonda, realizzato in acciaio inox lucido.
Round hand rail made of 316 polished stainless steel.



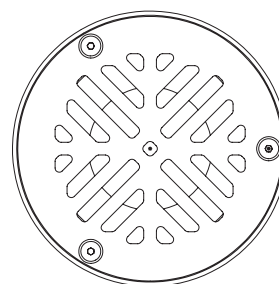
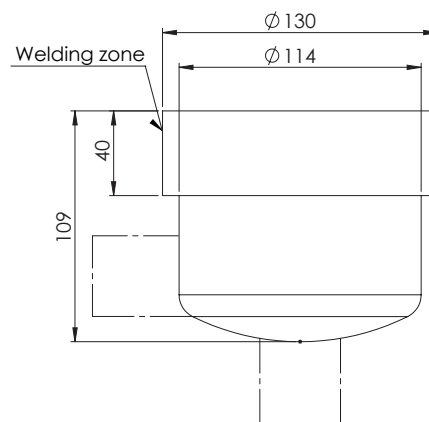
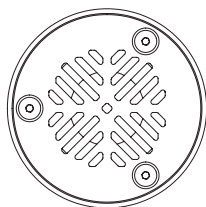
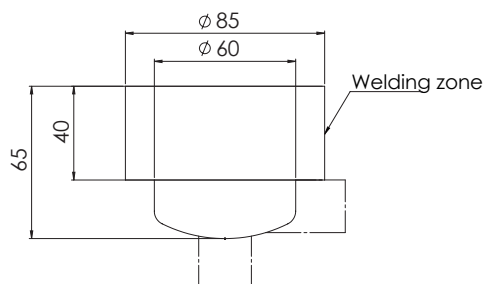
VERSIONE OVALE

Corrimano, versione ovale, realizzato in acciaio inox lucido.
Oval hand rail made of 316 polished stainless steel.





Ombrinali in acciaio Inox.
Stainless steel scuppers.



Altre misure su richiesta
Other measures on request.

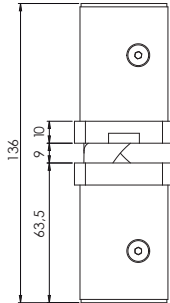
CERNIERE A SCOMPARSA
RECESSED HINGES

GHOST

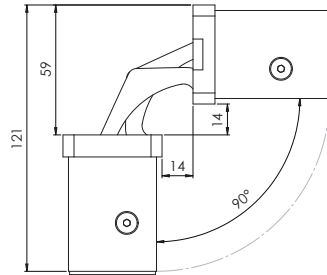
Cerniere a scomparsa in acciaio inox.
Stainless steel recessed hinges.



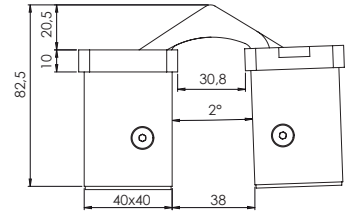
RECESSED HINGE B8, 0°



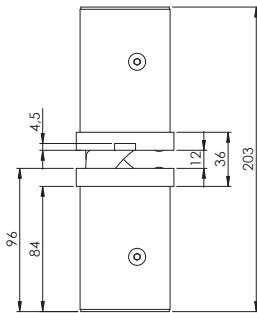
RECESSED HINGE B8, 90°



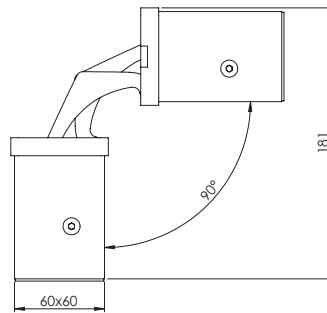
RECESSED HINGE B8, 178°
(MAXIMUM OPENING)



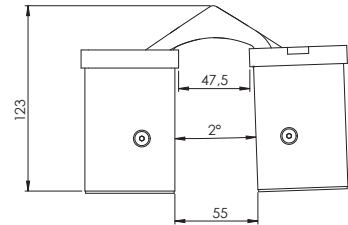
RECESSED HINGE B10, 0°



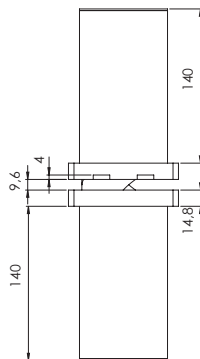
RECESSED HINGE B10, 90°



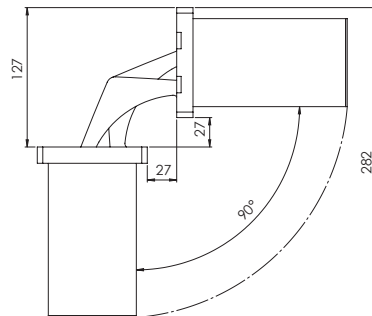
RECESSED HINGE B10, 178°
(MAXIMUM OPENING)



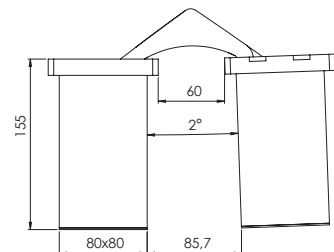
RECESSED HINGE B15, 0°



RECESSED HINGE B15, 90°



RECESSED HINGE B15, 178°
(MAXIMUM OPENING)



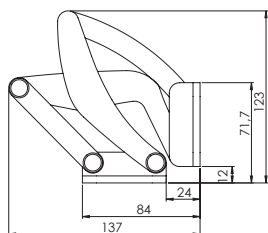
CERNIERE PER PORTELLI VERTICALI
HINGES FOR VERTICAL HATCHES

SPIDER

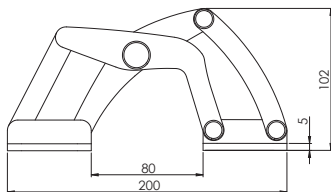
Cerniere in acciaio Inox per portelli verticali.
Stainless Steel hinges for vertical hatches.



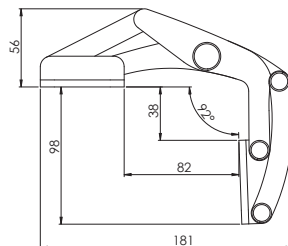
SLIM SPIDER HINGE SX, 0°



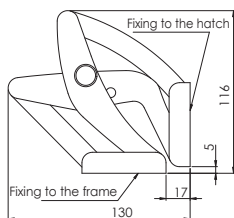
SLIM SPIDER HINGE SX, 90°



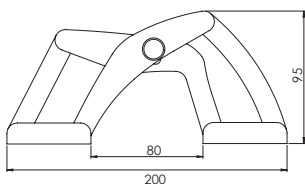
**SLIM SPIDER HINGE SX, 178°
(MAXIMUM OPENING)**



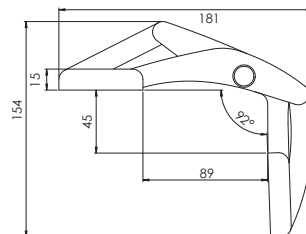
SMALL SPIDER HINGE SX, 0°



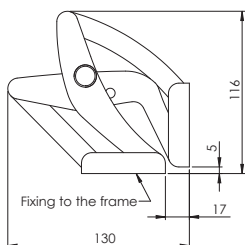
SMALL SPIDER HINGE SX, 90°



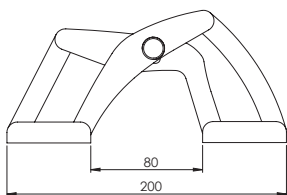
**SMALL SPIDER HINGE SX, 178°
(MAXIMUM OPENING)**



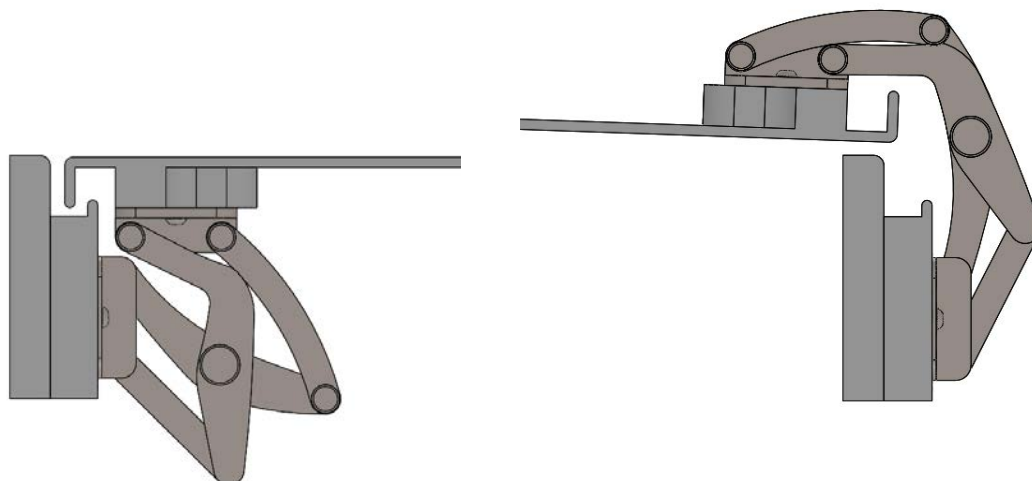
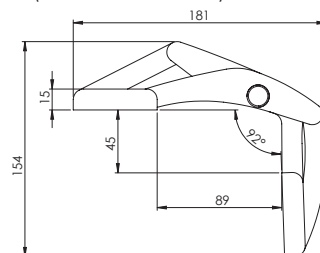
MEDIUM SPIDER HINGE SX, 0°



MEDIUM SPIDER HINGE SX, 90°



**MEDIUM SPIDER HINGE SX, 178°
(MAXIMUM OPENING)**



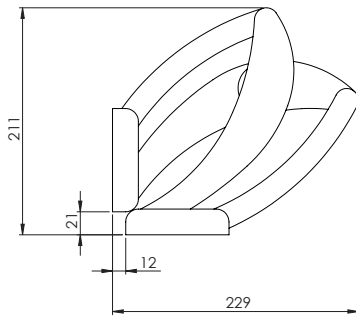
CERNIERE PER PORTELLONI
HINGES FOR BIG HATCHES

BIG SPIDER

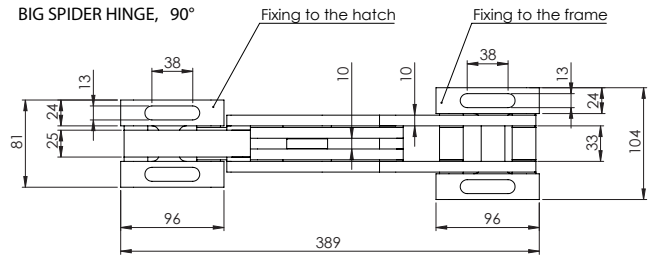
Cerniere in acciaio Inox per portelloni.
Stainless Steel hinges for big hatches.



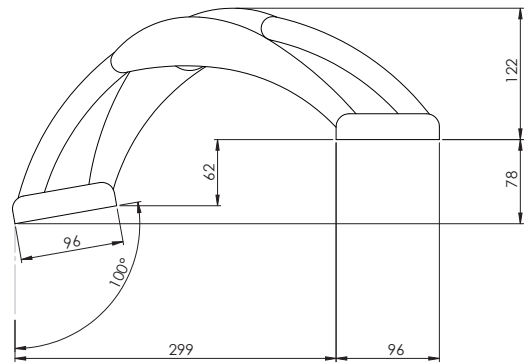
BIG SPIDER HINGE, 0°



BIG SPIDER HINGE, 90°



BIG SPIDER HINGE, 100° (MAXIMUM OPENING)





Head Office & Factory

Via Statale San Pietro, 23 B - 16042 Carasco (GE) Italy

Ph +39 0185 350345 - Fax +39 0185 1831149

www.metalstyle.com